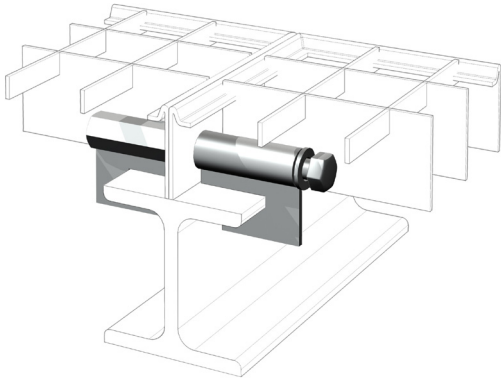


**Assembly instructions cantilever fixing no. 24**



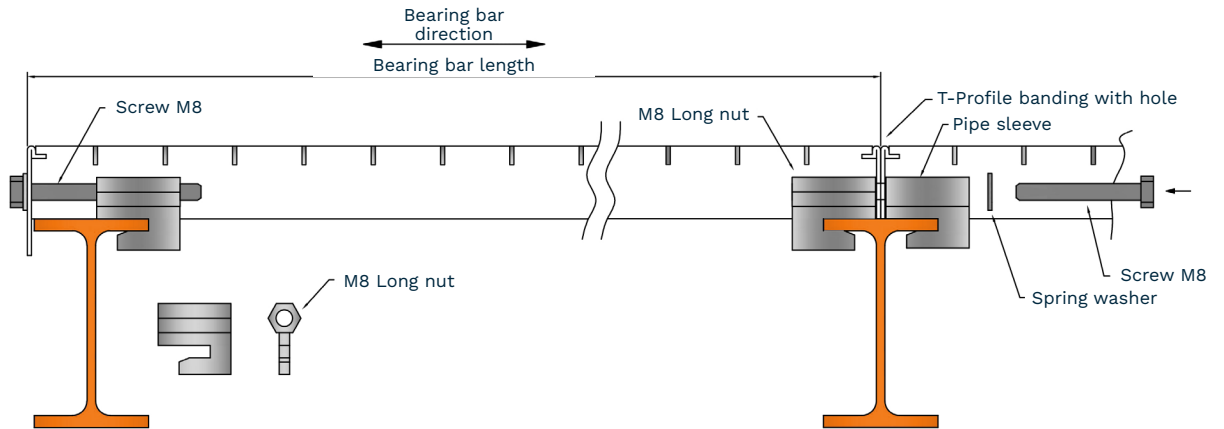
Three versions:

24a) up to beam thickness 8 mm

24b) up to beam thickness 10 mm

24c) up to beam thickness 12 mm

The screw length is adapted to the beam width:  
Beam width + 20 mm



**Cantilever fixing at the ends**

**Cantilever fixing**

The fixing is always in the front area at each grating joint. Optionally, a further additional fastening can be placed in the rear area. This is recommended for large fields or arm lengths  $\geq 1,500$  mm recommended

